



Impact Crusher

CRUSHING | GRINDING | QUARRY PLANT | SCREENING | WASHERS | FEEDING | CONVEYOR
Shanghai Joyal Mining Machinery Co., Ltd.





IMPACT CRUSHER



The JOYAL Impact Crusher is used for primary, secondary and fine crushing of all kinds of stones and rocks with compressive strength less than 350 MPa such as granite, marble, and limestone. The Impact Crusher is widely used for sand and rock production in the industry of roads, railways, reservoir, electricity power, building materials and so on.





Features

Impact Crusher

improves the adjusting device, the operation becomes more convenient.

- Simple Structure,**
- Non-key Connection**
- High Chromium Flat Hammer**
- Special Impact Plate**
- Simplified Crushing Process**
- High-Efficiency and Energy Conservation**
- Cubic Shape for the Final Products**

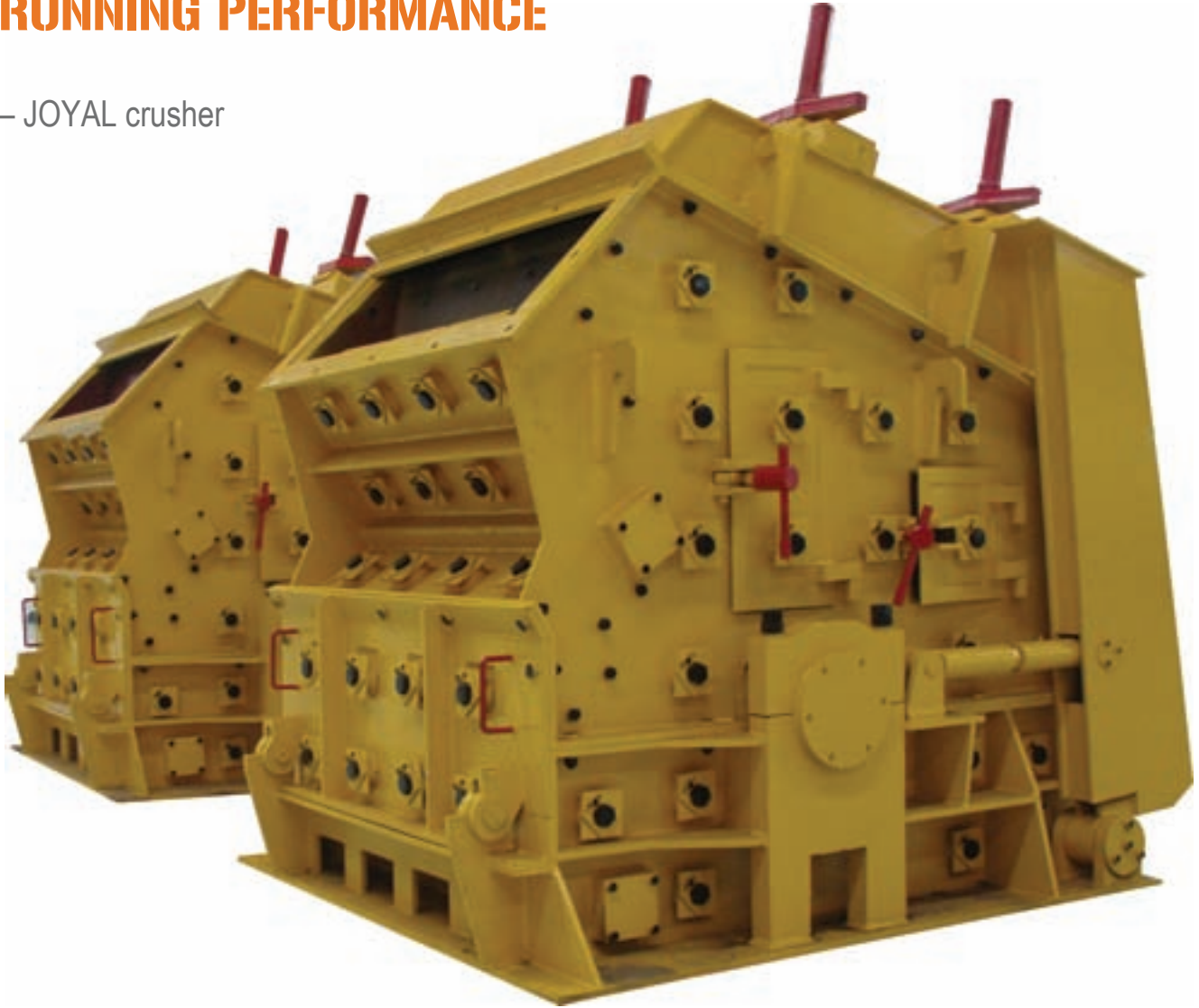
It is widely used in water and electricity, expressway, sand and stone, crushing fields.

1. The discharge opening can be adjusted.
2. Adjustable end products sizes,
3. The board hammer is made of high chrome and, abrasion-resistant, and with powerful impacting force;



MORE EXCELLENT RUNNING PERFORMANCE

– JOYAL crusher



Technical data – Impact Crusher

Type	Spec.	Feeder Opening(mm)	Feeding Size (mm)	Crushing Capacity (t/h)	Motor Power (KW)	Weight (t)
PF-1007	1000×700	400×730	250	15-50	37-55	9.45
PF-1010	1000×1050	400×1080	300	50-80	55-75	13.2
PF-1210	Φ1250×1050	400×1080	300	70-130	110-132	16.5
PF-1214	Φ1250×1400	400×1430	300	90-180	132-160	19.5
PF-1315	Φ1300×1500	860×1520	350	120-250	180-260	24.8
PF-1320	Φ1320×2000	860×2030	500	160-350	300-375	30

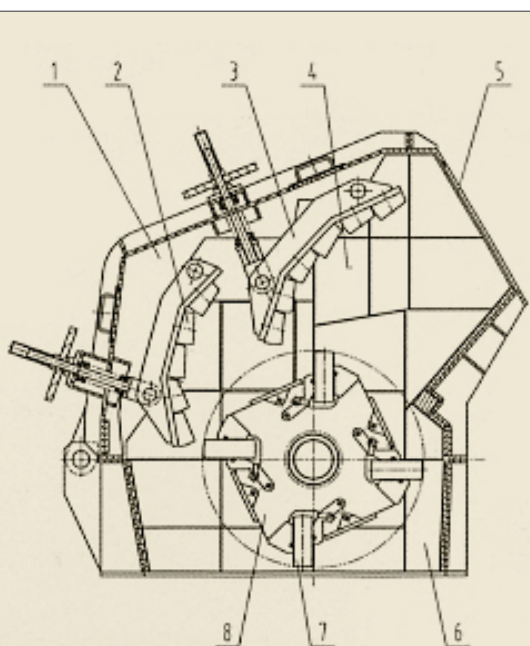
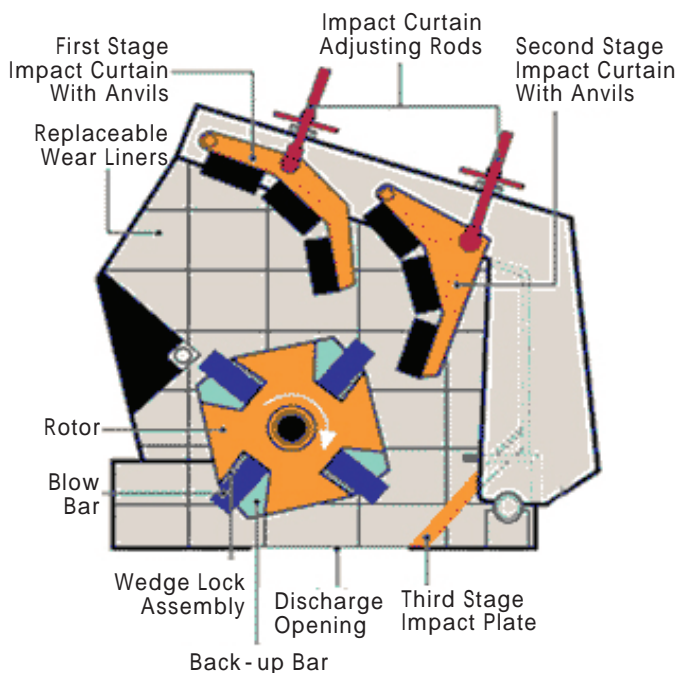
*) Any change of technical data shall not be advised additionally.

WORKING PRINCIPLE

The materials are crushed via impact energy produced in the impact crusher. When the materials enter the zone of the board hammer, they are flung into the impact equipments via the high-speed impact of the board hammer. These materials will be re-crushed after rebounding into the scale board. The large materials are crushed into small pieces until it becomes the specified granularities. The end products come out from the base of the impact crusher.



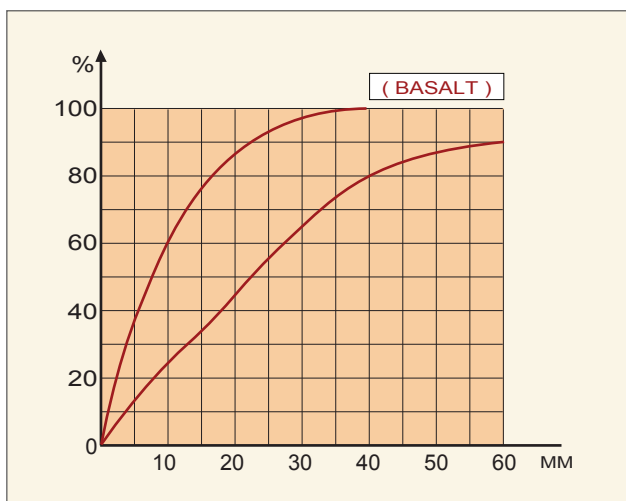
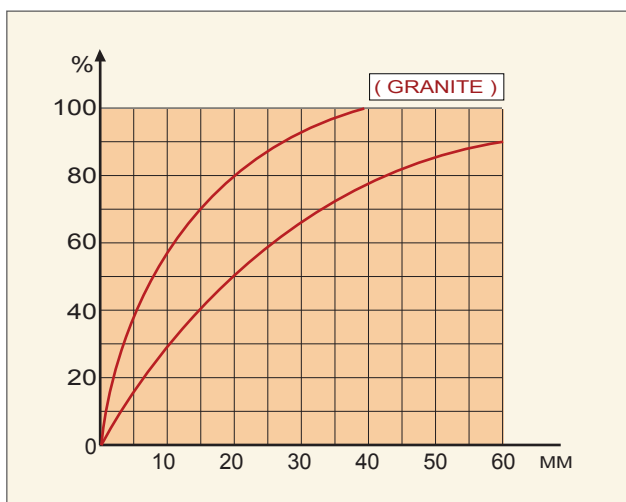
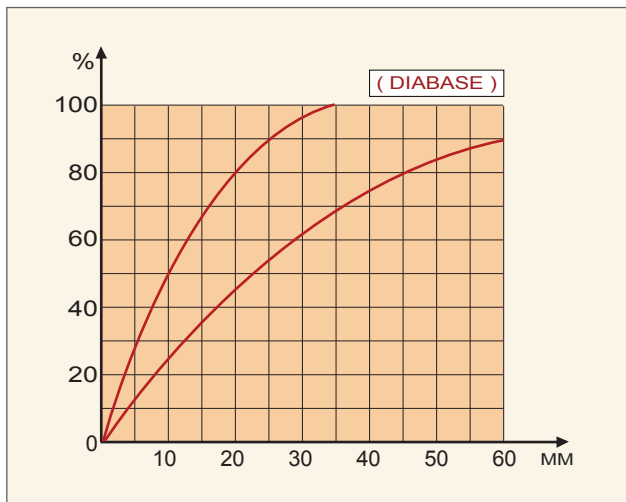
STRUCTURES



- 1. Rear Case
- 2. Impact Plate
- 3. Impact Rack
- 4. Liner Plate
- 5. Feed Opening
- 6. Frame
- 7. Blow Bar
- 8. Rotor Support



GRADATION







Add: No.3389, East Huaxia Road, Pudong New Area, Shanghai, China.

Email: joyal@crusherinc.com

Tel: 0086-21-68763311 0086-21-68763366

http://www.joyalcrusher.com